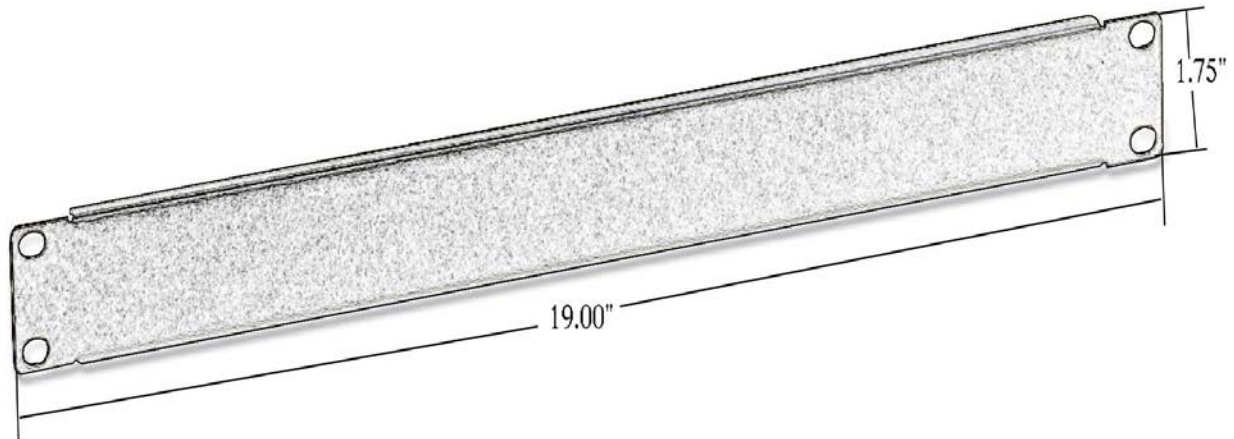


Re: BFR-175 1 RMU Rack Mount Blank Filler Panel**Specifications: Part No. BFR-175****(Document No.019026) 03-12-19 Rev.1**

Part Number	Description
BFR-175	1-RMU Blank Filler Panel Dimensions: 1.75" H x 19.00" W Weight: 1 lbs. Approx.

Features

- USA Made (16 Ga. Steel)
- Durable Epoxy Powder Coated Finish (Black)
- Provides added aesthetics for Racks and Cabinets
- Aids in Hot and Cold air separation and air flow in equipment cabinets.
- Designed w 3/8 Inch Break Flange (Top and Bottom) for Superior Strength, Rigidity and Anti bowing effect.
- 19 Inch Rack Mount Spec. EIA/ECS-310-E
- Provides space saving allocation for future equipment deployments